

# Technical Data

Pump Name

DW 100

Customer	Date	2022-10-19	Company
Contact	Item no.		Issued by
Phone	Project		Phone
E-mail	Project ID		E-mail

## Requested data

1	Pump type		SUBMERSIBLE SEWAGE PUMPS	Fluid		Water
2	Number of pumps / Reserve		1 / 0	Liquid temperature	°C	20
3	Flow	m³/h		Kin. viscosity	mm²/s	1.005
4	Head	m		Vapour pressure	kPa	2.34
5	Geodetic head	m		PH value		
6	Inlet pressure (pin)	kPa	0	Density	kg/m³	998.3
7	Available system NPSH			Solids	Weight %	0
8	Ambient temperature	°C	20			

## Pump

9	Pump Name		DW 100	Frequency	Hz	50	
10	Design		SUBMERSIBLE SEWAGE PUMPS	Installation type		STANDARD	
11	Manufacturer		EBARA	Impeller Diameter	Max.	mm	99
12	Speed	1/min	2800		Designed	mm	99
13	No. of Stage		1		Min.	mm	99
14	Connection	Suction side	UNI ISO 228	Flow	Operating	m³/h	
15	Connection	Discharge side	UNI ISO 228		Max-	m³/h	36
16	Max. Working Pressure	kPa			Min-	m³/h	6
17	Shut-off head	kPa	130.22	Head	Operating	m	
18	Total weight	kg	See the table of "Dimensions".		- (Qmax.)	m	2.6
19	Shaft power	kW			- (Qmin.)	m	10.6
20				Max. Shaft Power at max. impeller	kW		
21	Required pump NPSH	m		Efficiency	%		

## Materials

22	Impeller		AISI 304			
23	Casing		AISI 304			
24	Shaft		AISI 303 (Wet extension)			
25						
26						
27						

## Motor

28	Manufacturer		EPE Standard	Insulation class		F
29	Type		DW M 100_230_Single Phase	Phases		1~
30	Specific design		Submersible dry type / 50 Hz / Pole pairs 1	Frame size		
31	Rated power	kW	0.75	Weight	kg	
32	Number of poles		2	Electric voltage	V	230
33	Speed	1/min	2800	Electric current	A	5.9
34	Degree of protection		IP X8			
35						

## Remarks

# Performance Curve

Pump Name

DW 100

Customer	Date	2022-10-19	Company
Contact	Item no.		Issued by
Phone	Project		Phone
E-mail	Project ID		E-mail

**Requested data**

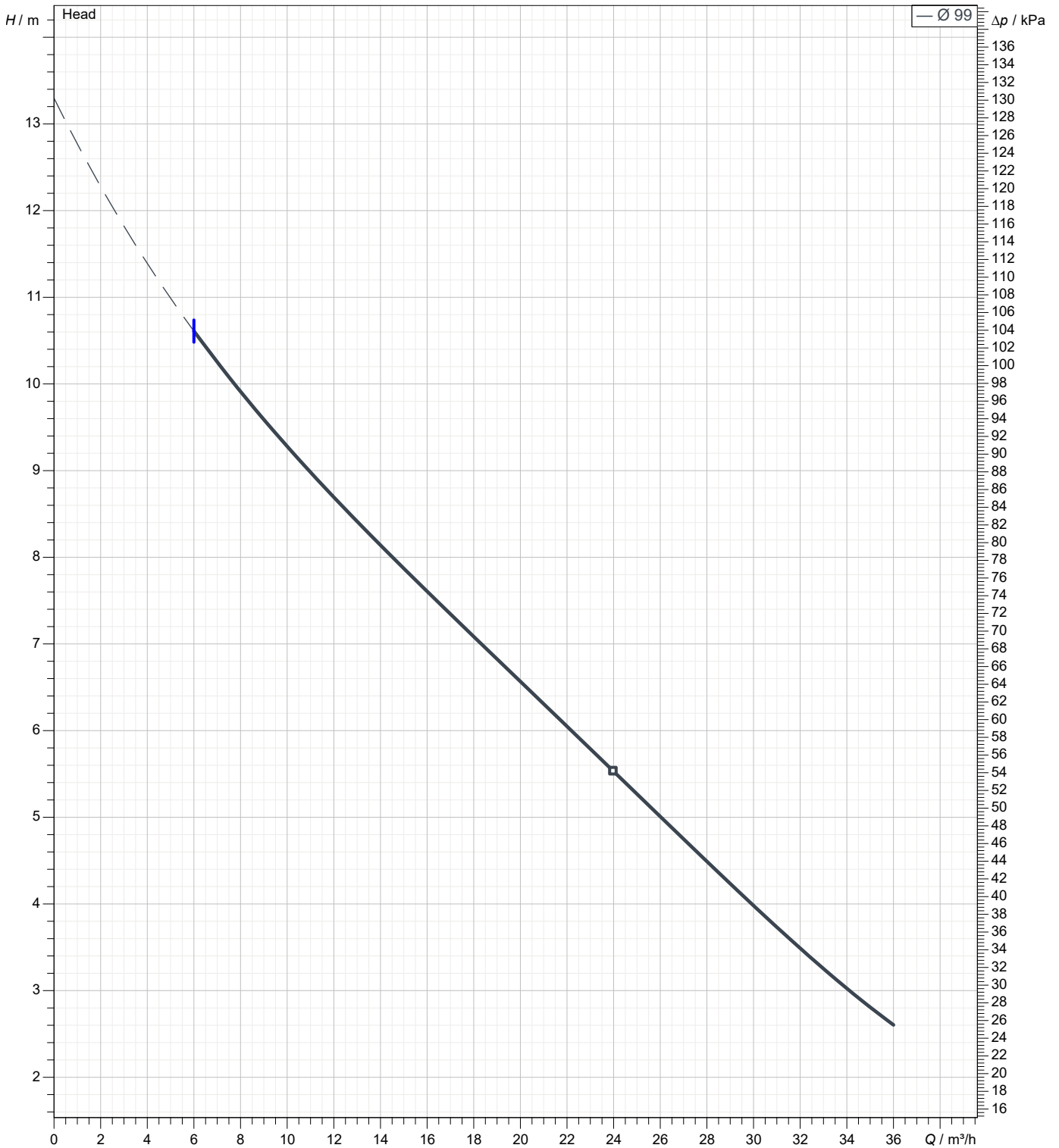
1	Flow	m³/h	
2	Head	m	
3	Geodetic head	m	

**Pump**

Operating Flow	m³/h		Frequency	Hz	50
Operating Head	m		Number of poles		2
Impeller diameter designed	mm	99	Speed	1/min	2800

Test standard: ISO 9906:2012 - Grade3B

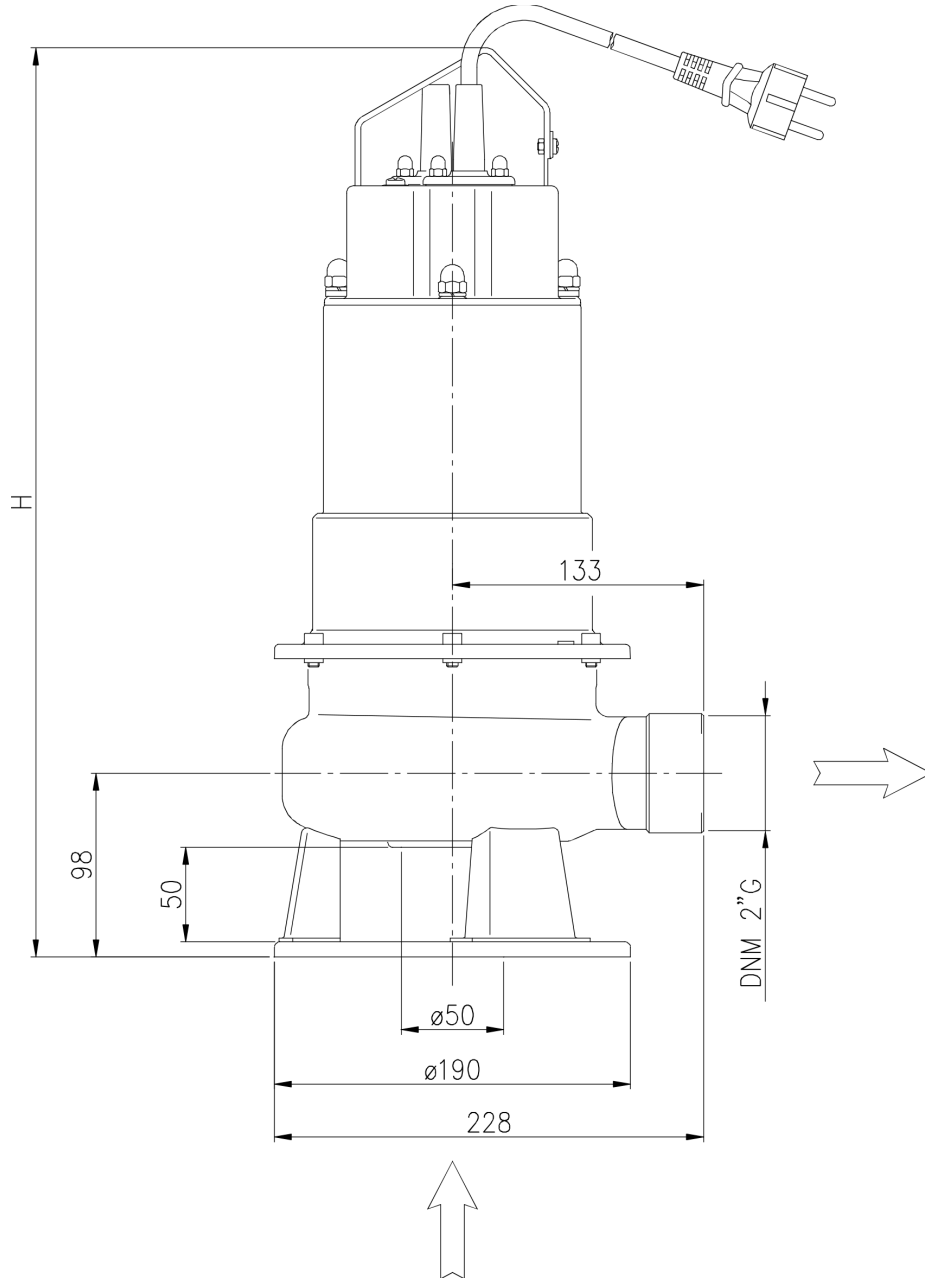
Water; 20°C; 998.3kg/m³; 1mm²/s



# Dimensions

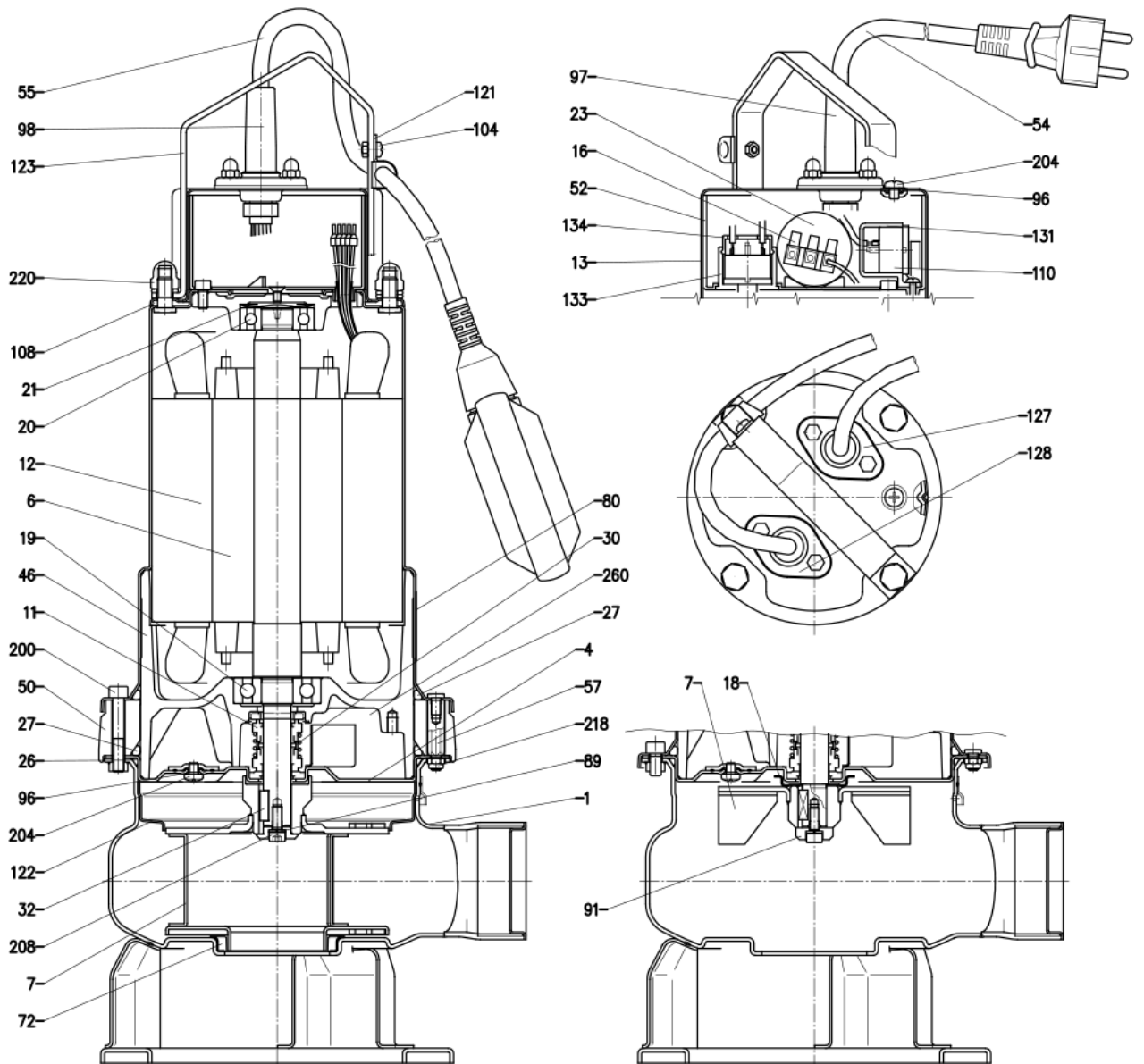
Pump Name DW 100

Customer	Date 2022-10-19	Company
Contact	Item no.	Issued by
Phone	Project	Phone
E-mail	Project ID	E-mail



Dimensions in		mm						
1	H	486						
2	Weight PUMP	16,8 kg						
3								
4								
5								
6								
7								
8								
9								
10								
11								
12								
13								
14								
15								

Customer	Date 2022-10-19	Company
Contact	Item no.	Issued by
Phone	Project	Phone
E-mail	Project ID	E-mail



(2/3)

# Construction

Pump Name DW 100

Customer	Date	2022-10-19	Company
Contact	Item no.		Issued by
Phone	Project		Phone
E-mail	Project ID		E-mail

N°	PART NAME	MATERIAL	Q.TY
1	Casing	AISI 304	1
4	Casing cover	AISI 304	1
6	Shaft w ith rotor	AISI 303	1
7	Impeller	AISI 304	1
11	Mechanical seal [8]	SiC/SiC/NBR	1
11	Mechanical seal [8]	Carbon/Ceramic/NBR	1
12	Motor frame w ith stator	-	1
13	Motor cover	AISI 304	1
16	Terminal	-	1
18	Mechanical seal protection [1]	AISI 304	1
19	Low er side ball bearing	-	1
20	Upper side ball bearing	-	1
21	Adjusting ring	Steel C70	1
23	Capacitor [2]	-	1
26	O ring	NBR	1
27	O ring	NBR	1
27	O ring [3]	NBR	1
30	Mechanical seal spacer	Brass	1
32	Key	AISI 304	1
46	Bearing housing	G20	1
50	Spacer [3]	G20	1
52	Terminal insulating box	PA66 glass fibre reinforced class V-0	1
54	Power cable	-	1
55	Float sw itch [4]	-	1
57	Spacer [3]	AISI 304	4
72	Casing ring [5]	NBR	1
89	Washer	AISI 304	1
91	Washer [1]	AISI 304	1
96	O ring	NBR	3
97	Power cable entry	NBR	1
98	Floating sw cable entry [4]	NBR	1
104	Cable guard [4]	NBR	1
108	Cover gasket	NBR	1
110	Protector [2]	-	2
121	Support for float sw itch [4]	AISI 304	1
122	Impeller protection ring [6]	AISI 304	1
123	Handle	AISI 304	1
127	Power cable connector	AISI 304	1
128	Floating sw . cable connector	AISI 304	1
131	Support for protector	PA66 glass fibre reinforced	1
133	Support for probe	Aluminium	1
134	Cover for support probe	PA6	1
200	Screw	Stainless steel A2 UNI 7323	6
204	Screw	Stainless steel A2 UNI 7323	3
208	Screw	Stainless steel A2 UNI 7323	1
218	Nut	Stainless steel A2 UNI 7323	4
220	Nut	Stainless steel A2 UNI 7323	4
260	Lubricating liquid	White mineral oil	348 cc

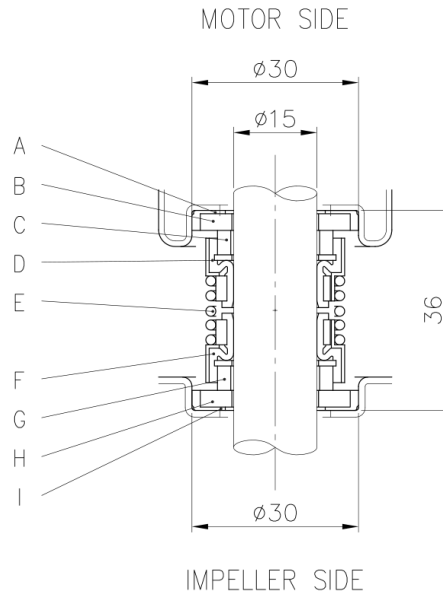
- [1] Except for DW-DW VOX 300
- [2] Only for single phase
- [3] Only for DW-DW VOX 300
- [4] Only for single phase with float switch
- [5] Only for DW
- [6] Except for DW VOX 150, 200 and 300
- [7] Only for single phase DW 150
- [8] See CONSTRUCTION 3

(3/3)

# Construction

Pump Name DW 100

Customer	Date 2022-10-19	Company
Contact	Item no.	Issued by
Phone	Project	Phone
E-mail	Project ID	E-mail



REF	PART NAME	MATERIAL
A	Rubber cup	NBR
B	Seat	Ceramic
C	Seal face	Carbon
D	Bellow	NBR
E	Spring	AISI 304
F	Bellow	NBR
G	Seal face	Silicon carbide
H	Seat	Silicon carbide
I	Rubber cup	NBR